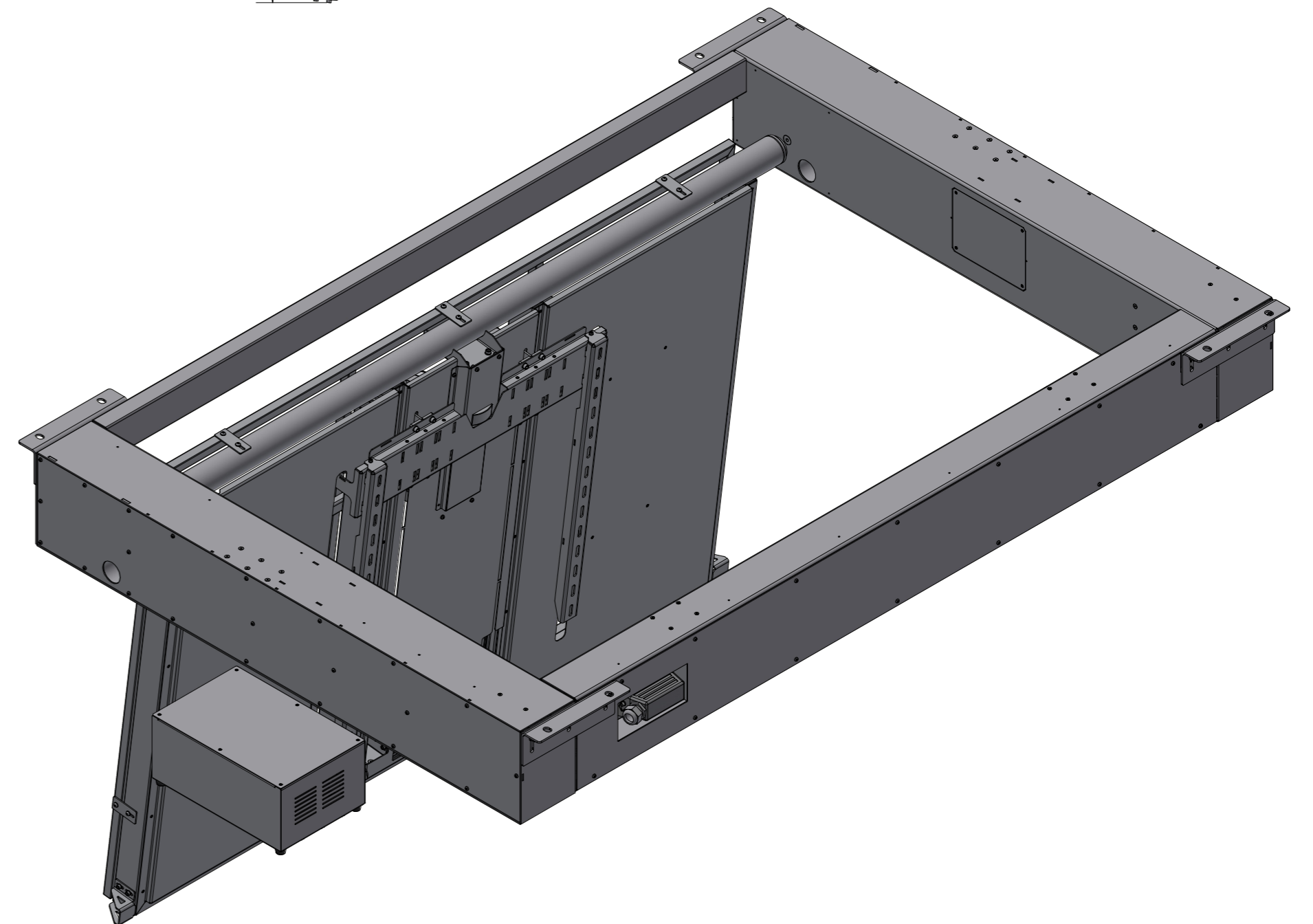
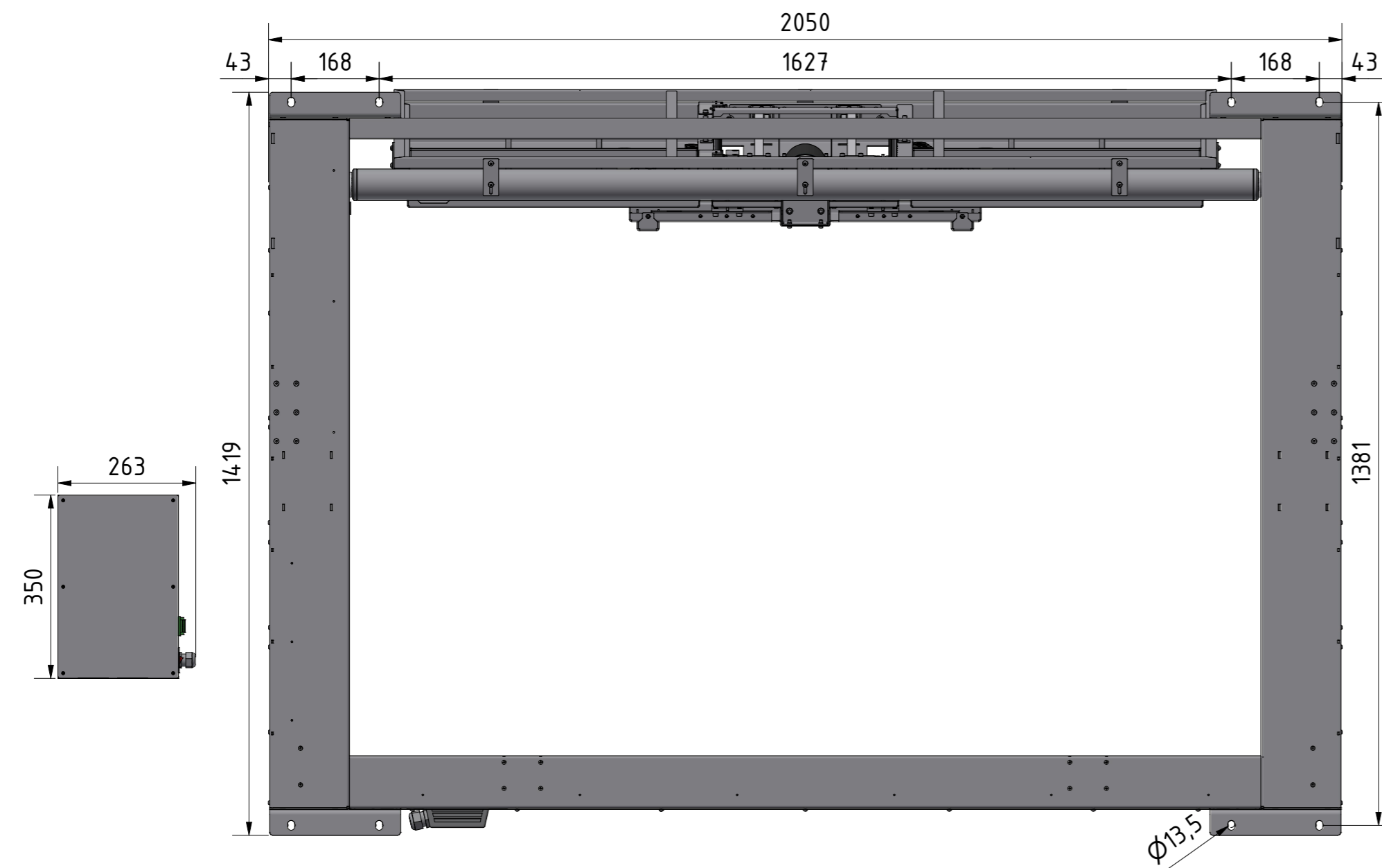
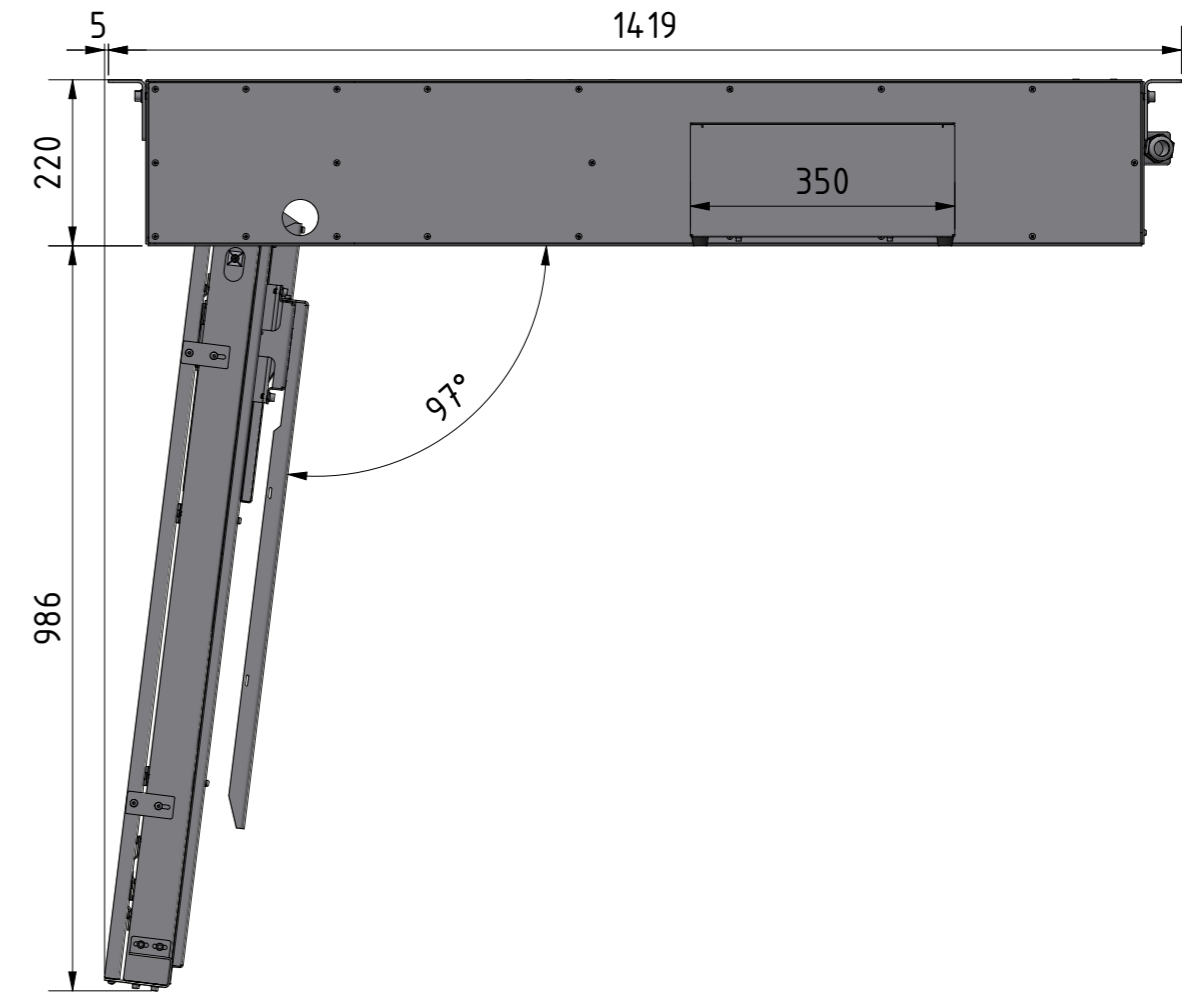
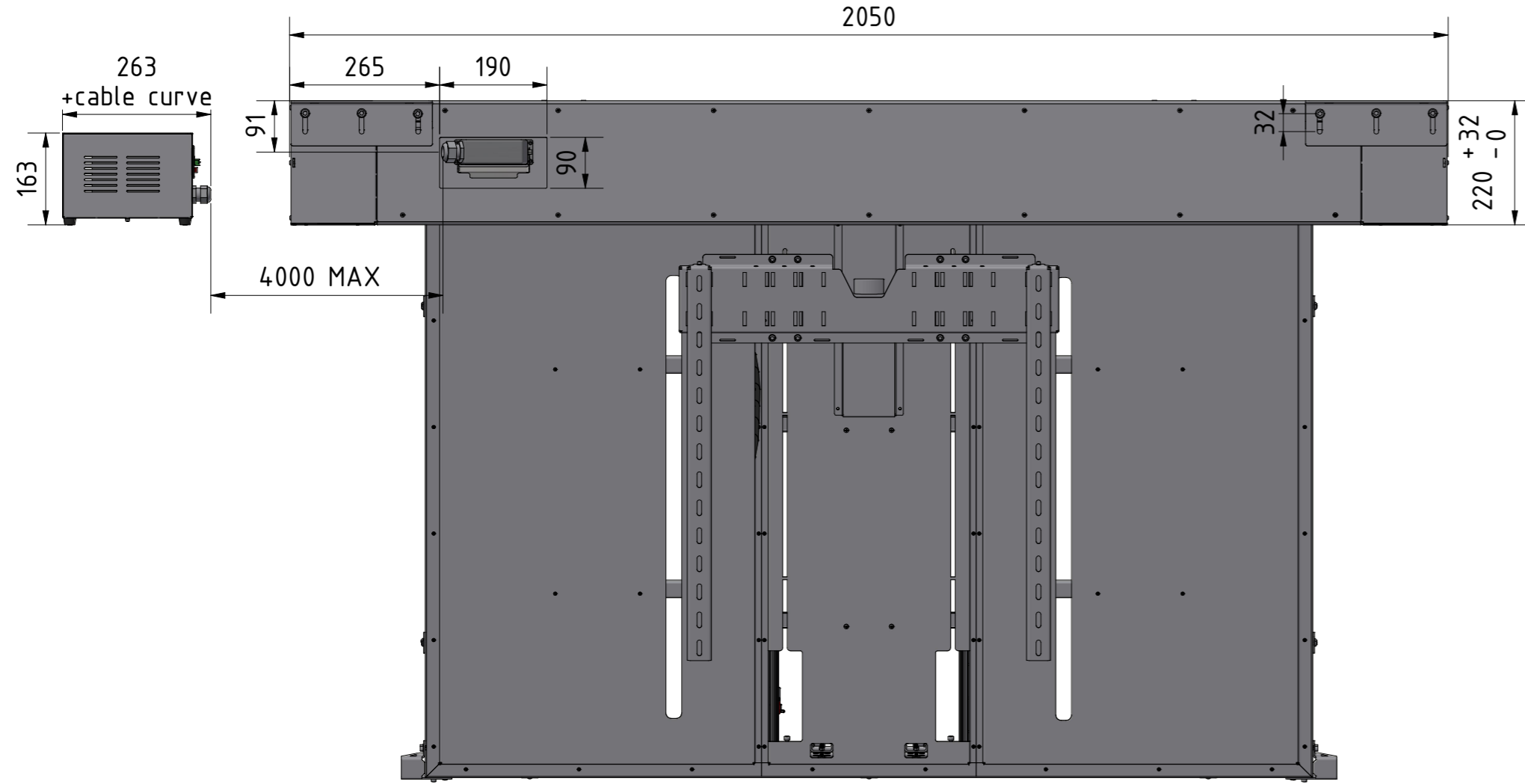



# FPLCV2-75+LM+Lock



CATEGORY	FLAT PANEL CEILING LIFT WITH VERTICAL LINEAR MOTION	DRAWING TYPE		
MODEL	FPLCV2-75+LM+LOCK	DRAFT	FINAL	
FEATURES	CEILING LIFT FOR 75" TV WITH VERTICAL LINEAR MOTION & SAFETY LOCK MECHANISM IN CLOSED POSITION, MAXIMUM LOAD CAPACITY 65kg	X		
COLOUR	POWDER COATING IN RAL9016 WHITE or RAL9005 BLACK	DIMENSIONS TOLERANCE		
DRAWING No	31072024SK	APPROVED BY:		
		+/- 0,5%		

ALL RIGHTS STRICTLY RESERVED. REPRODUCTION OR ISSUE TO THIRD PARTIES IN ANY FORM WHATEVER, IS NOT PERMITTED WITHOUT WRITTEN AUTHORITY FROM UNITECH SYSTEMS.